

Wide-view Microscope – *The innovative system for visual viewing*

WV-1 series is the new wide viewing field microscope. Integrated visual engineering, with invention patents. It provides sharp and stereoscopic images.



WV-1C (Clamp Table)



WV-1F (Floor Model)



WV-1B (Square base)



WV-1BT (Square base with table)

Features:

1. 2X, 4X, 6X, 8X, 10X, 15X objectives, can be arbitrarily converted.
2. User-friendly operating system, can be installed three objectives at the same time, easily change different magnification.
3. Long time observation makes the operator no sense of eye fatigue, freedom of movement when operated. The vision is not limited and improve the working efficiency.
4. Long working distance, large depth of focus and field of view.

Application:

1. **Electronic industry:** Printed circuit soldering, Circuit Installation, Circuit quality screening
2. **Precision project:** Microwelding, Micromachining, Casting
3. **Medical & Dentistry Equipment Manufacturing:** Equipment manufacture, Fine trimming
4. **Biomedical:** Sample-making, Biological anatomy, Microscopy, Dyeing
5. **Public Security:** Sample identification
6. **Mineral research**
7. **Restoration of cultural relic**

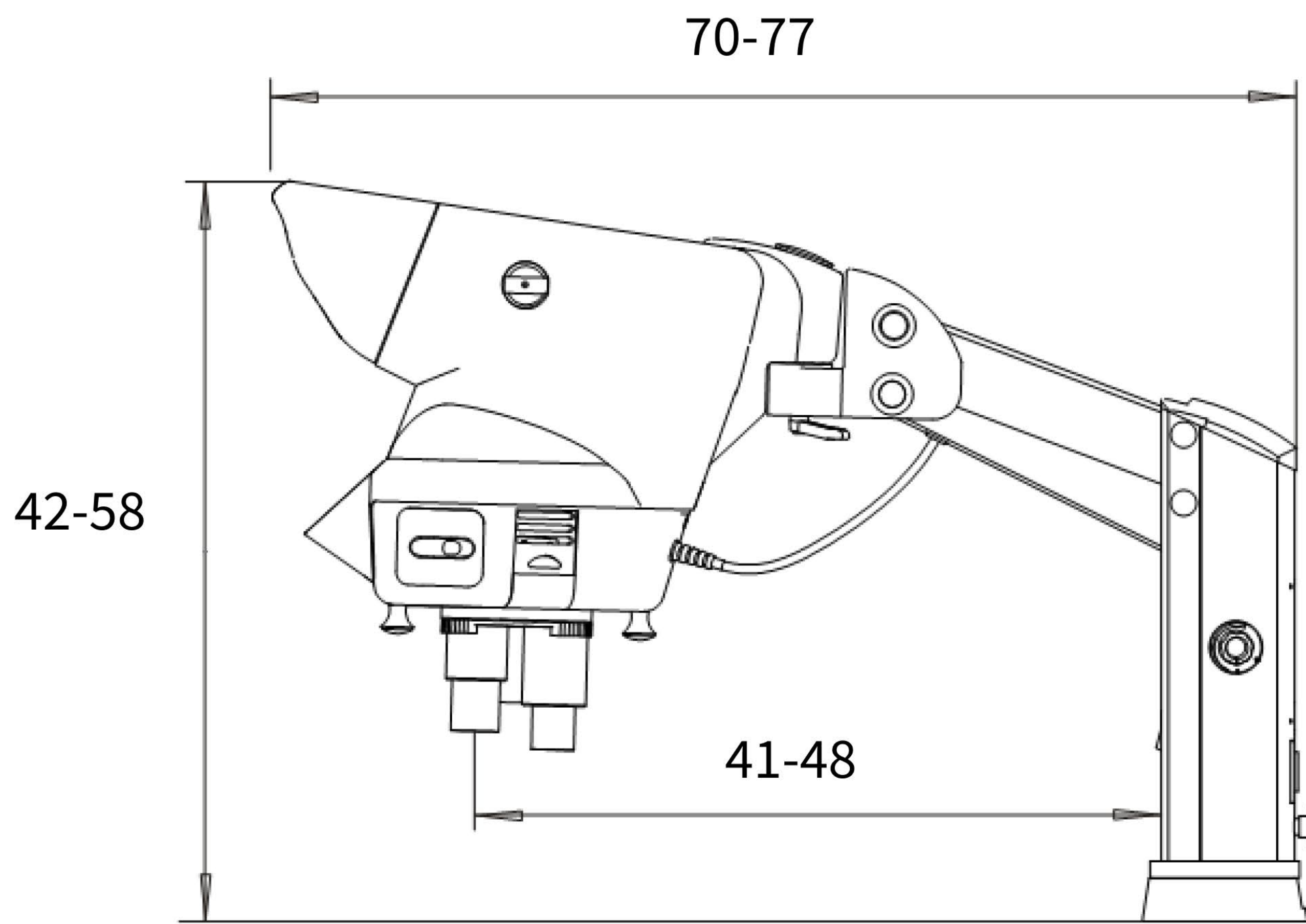


Specification:

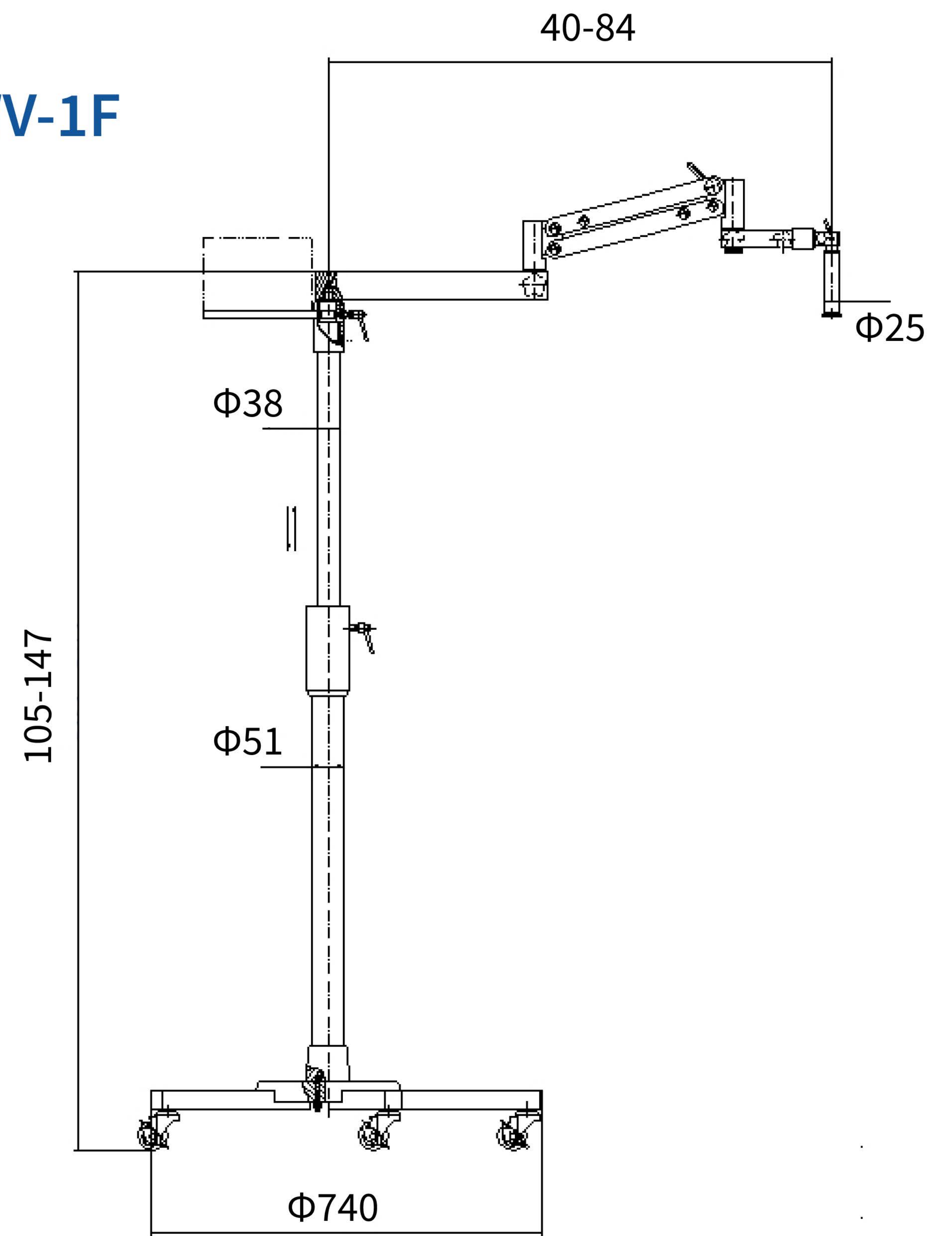
Model Guide			
WV-1C (Clamp Table)	WV-1F (Floor Model)	WV-1B (Square base)	WV-1BT (Square base with table)
Height: 1800mm Head extension: 850mm 465*430*650mm Gross weight:12KG	Height: 1800mm Head extension: 850mm Stand Vertical 580mm, Large Stroke With Power Lift Bottom Universal Pulley With Locking Device 465*430*650mm Gross Weight:12KG	Base size: 400X300X20 mm (15.74x11.81x0.78 inches) Arm height: 500 mm (196.8 inches) Travelling Distance : 175 Mm External LED Light Source Regulator 525*425*575mm Gross Weight 13.5KG	Base size: 400X300X20 mm (15.74x11.81x0.78 inches) Arm height: 580 mm (228.35 inches) Table Size: 210X190mm Upper Stroke: 175 mm Downstroke: 155 mm External LED light source regulator 675*435*695mm Gross Weight: 16.5KG
Objective			
Magnification	Working distance(mm)	Viewing field for object space(mm)	Equipment
2×	208	68	●
4×	98	34	●
6×	80	22.7	●
8×	58	17	○
10×	46	13.6	○
15×	50	9.1	○
6×(SL)	115	22.7	○
“●”is standard equipment “○”is optional equipment			

Dimension:

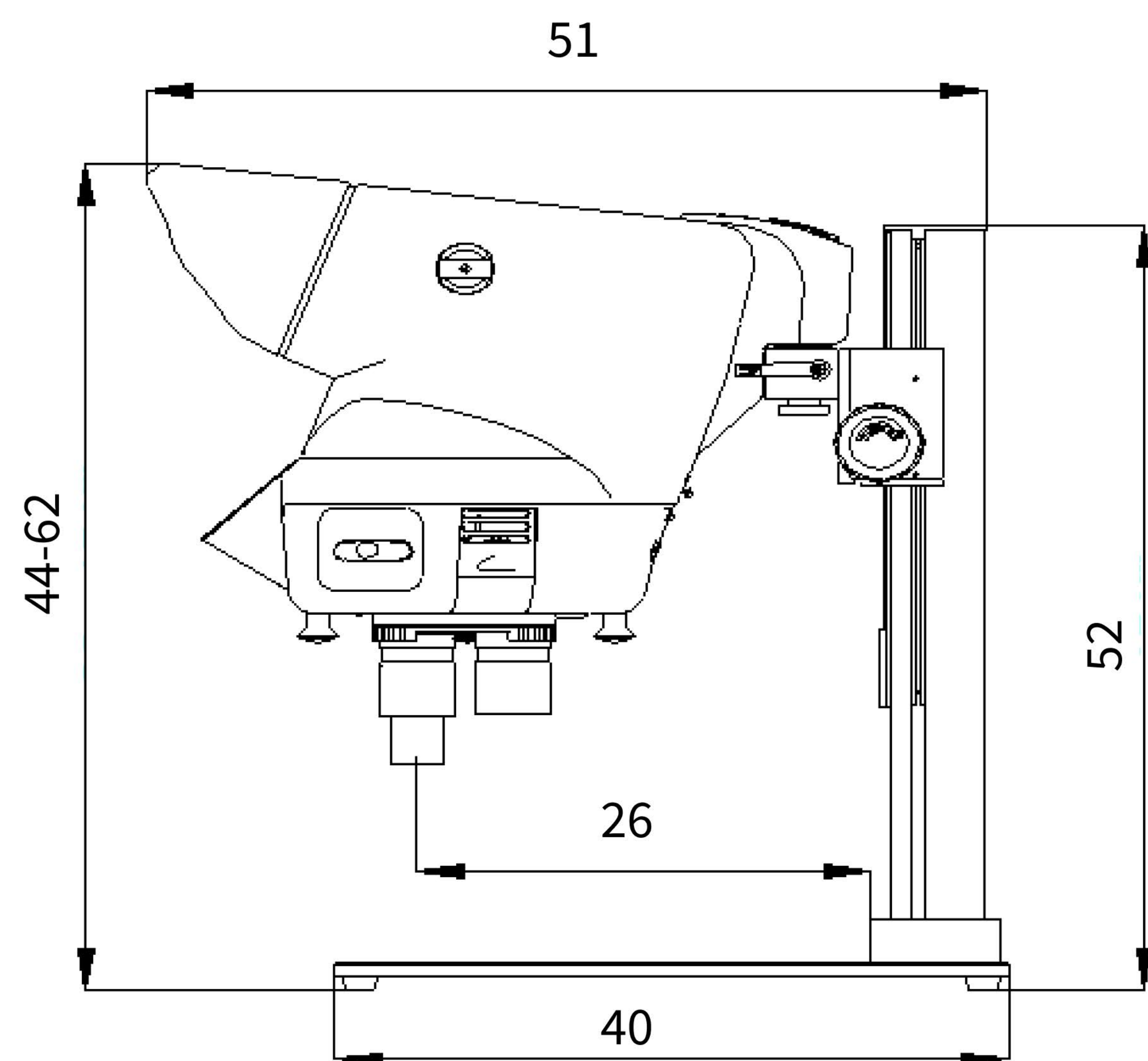
WV-1C



WV-1F



WV-1B



WV-1BT

