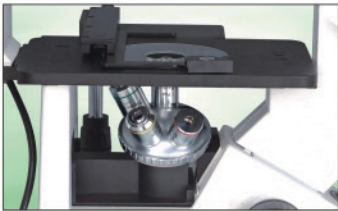


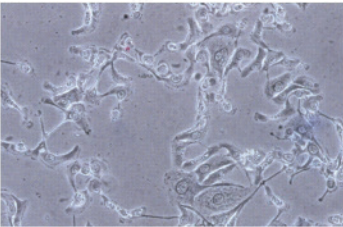
NIB-100倒置生物显微镜

NIB-100 Inverted Biological Microscope

- 无限远光学系统，提供了卓越的光学性能
- 创新的镜体机构、清晰的标本观察、便捷的操作方式，专为细胞培养观察而量身设计，是常规检查的革新方案
- Excellent Optical Function with Infinitive Optical System
- Innovative Stand Structure, Sharp Image Display, Convenient Operation and Special Design for Viewing Incubating Cell Tissue

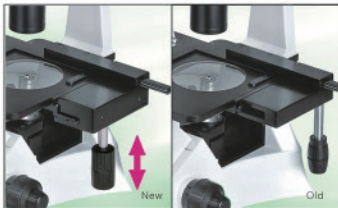


无限远平场长工作距离物镜，使得观察标本视野更平坦、亮度更高、反差更强，且更容易观察活细胞的状态。
With LWD Infinitive Plan Objective, Making Viewing Field Flatter and Brighter, Contrast Sharper, Living Cell Observing easier



配备标准相衬环板，中心预调，可观察低反差或透明标本的鲜明图像。

With pre-centerable Phase Annulus, Available to Observe Low Contrast or Transparent Specimen

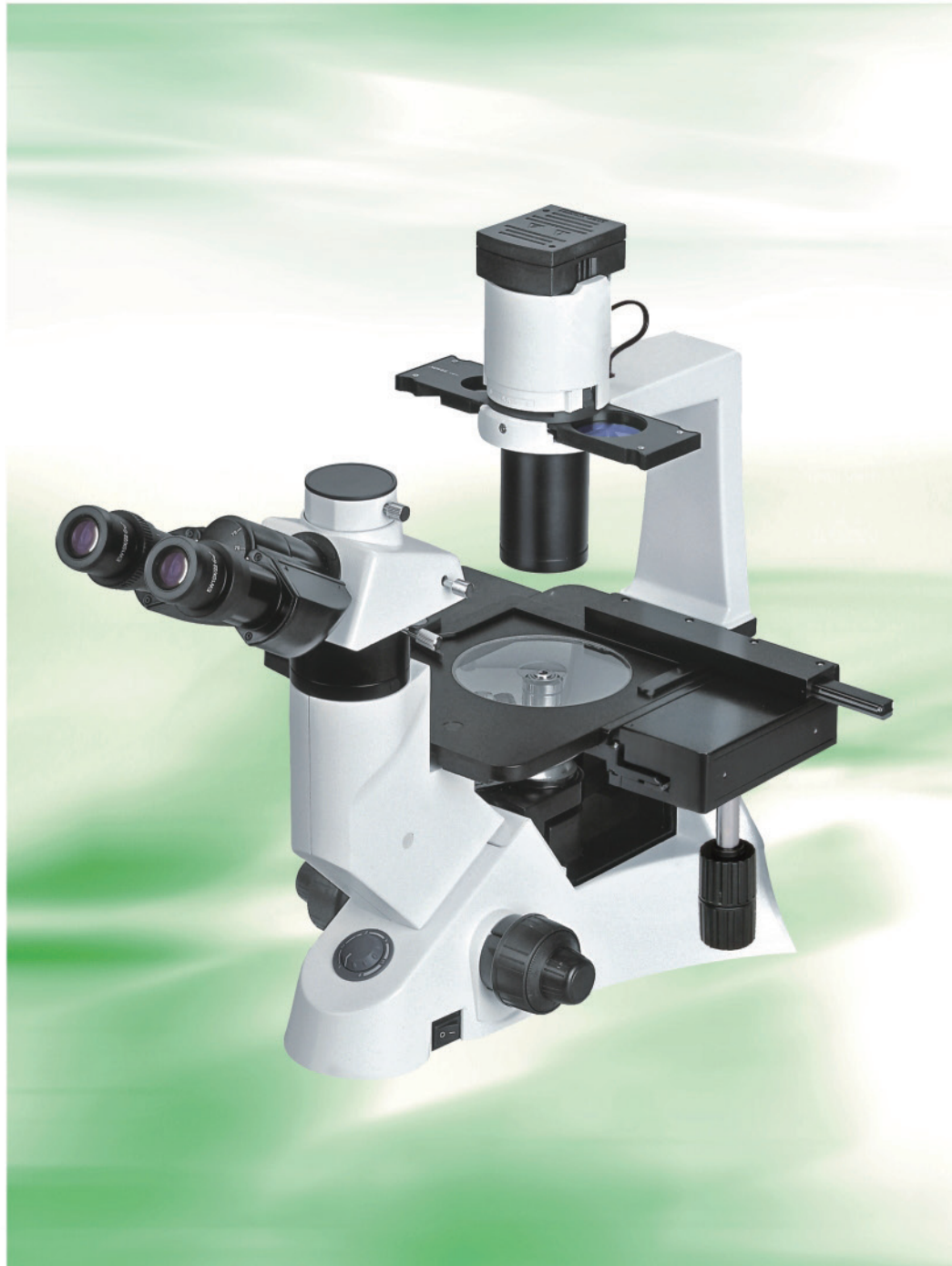


手轮前置同步带移动尺，手柄可高、低位调整，松紧可调，可靠性强。

Advanced and Reliable Mechanical Stage with Knob Height and Tightness Adjustable

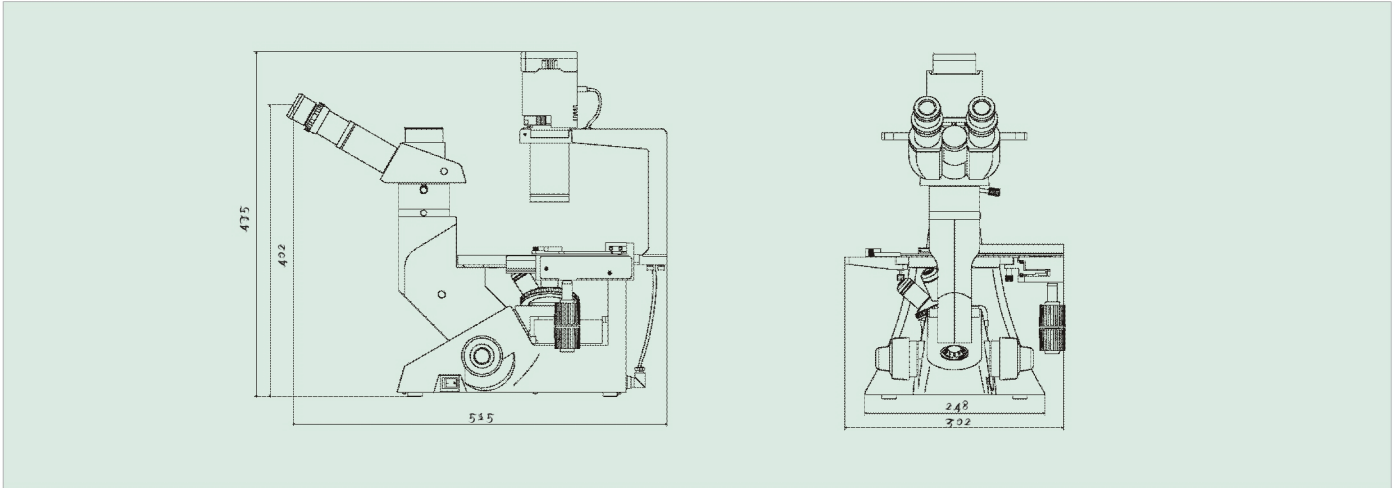


多种培养皿托架可供不同方式的观察。
Different Holders for Various Observations



NIB-100系统尺寸图 NIB-100 System Dimension Drawing

单位 Unit: mm



配置表 Outfit:

观察头 Viewing Head	三目观察头, 30° 倾斜, 瞳距调节范围48-75mm Trinocular Head Inclined at 30°, Interpupillary 48-75mm	●	
目镜 Eyepiece	高眼点、超大视野目镜EW10X/22 High-point, Extra Wide Field Eyepiece EW10X/22	●	
物镜 Objective	无限远平场长距物镜 LWD Infinite Plan Objective	4X/0.1 WD17.3mm	●
		10X/0.25 WD10mm	○
		20X/0.4 WD5.1mm	○
	无限远平场相衬物镜 Infinite Plan Phase objective	40X/0.6 WD2.1mm	●
		PH10X/0.25 WD10mm	●
		PH20X/0.4 WD5.1mm	●
转换器 Nosepiece	五孔转换器 Quintuple Nosepiece	●	
聚光镜 Condenser	超长工作距离聚光镜NA0.3, LWD72mm; 卸下聚光镜后培养皿高度可达150mm ELWD Condenser NA0.3, LWD72mm, (without Condenser 150mm)	●	
对中望远镜 Centering Telescope	对中望远镜 (镜筒 $\phi 30\text{MM}$) Centering Telescope ($\phi 30\text{MM}$)	○	
相衬滑板 Phase Annulus	10X-20X、40X预调心型相衬滑板 10X-20X、40X Phase Annulus Plate	●	
	10X-20X、40X可调心型相衬滑板 10X-20X、40X Phase Annulus Plate (Center Adjustable)	○	
载物台 Stage	平面载物台 Plain Stage 160X250mm	●	
	载物台插入圆板 Glass Insert	●	
	机械移动尺, 右手低位同轴X、Y方向旋钮, 移动范围120×78mm Attachable Mechanical Stage, X-Y Coaxial Control, Moving Range 120X78mm	○	
	接长托板 Auxiliary Stages 70×180mm	●	
	Terasaki托架 Terasaki Holder	○	
	$\phi 35\text{mm}$ 培养皿托架 $\phi 35\text{mm}$ Petri Dish Holder	○	
	$\phi 54\text{mm}$ 培养皿的载玻片托架 $\phi 54\text{mm}$ Slide Glass Holder	○	
$\phi 90\text{mm}$ 培养皿托架 $\phi 90\text{mm}$ Petri Dish Holder	○		
焦距调节 Focusing	同轴粗微调焦机构, 通过转换器的上下移动进行调焦。 粗调行程每圈37.7mm, 微调行程每圈0.2mm Coaxial Coarse and Fine Adjustment, Vertical Objective Movement Coarse Stroke: 37.7mm per Rotation, Fine Stroke: 0.2mm per Rotation	●	
照明系统 Illumination	6V30W卤素灯 Halogen Lamp 6V30W	●	
滤色镜 Filter	直径45mm蓝色、绿色、磨砂玻璃片 Diameter 45mm, Blue, Green and Ground Glass	●	
摄影附件 Photo Attachment	摄影附件 Photo Attachment	○	
摄像接口 Video Adapter	标准C接口 Video Adapter with C Mount	○	
荧光装置 Fluorescent Attachment	FI-100倒置荧光装置 Inverted Fluorescent Attachment FI-100	○	

注: ●为标准配置, ○为选购配件
Note: ● Standard Outfit, ○ Option

青岛英诺华生物医疗科技有限公司
Qingdao Innova Bio-Meditech Co.,Ltd.
地址: 山东青岛市巨峰路176号
Add.: No.176 JuFeng Road, 266199, Qingdao, China
Tel.: +86 532 8789 0634
Email: info@innobiomed.com
Web: www.innovabiomed.com